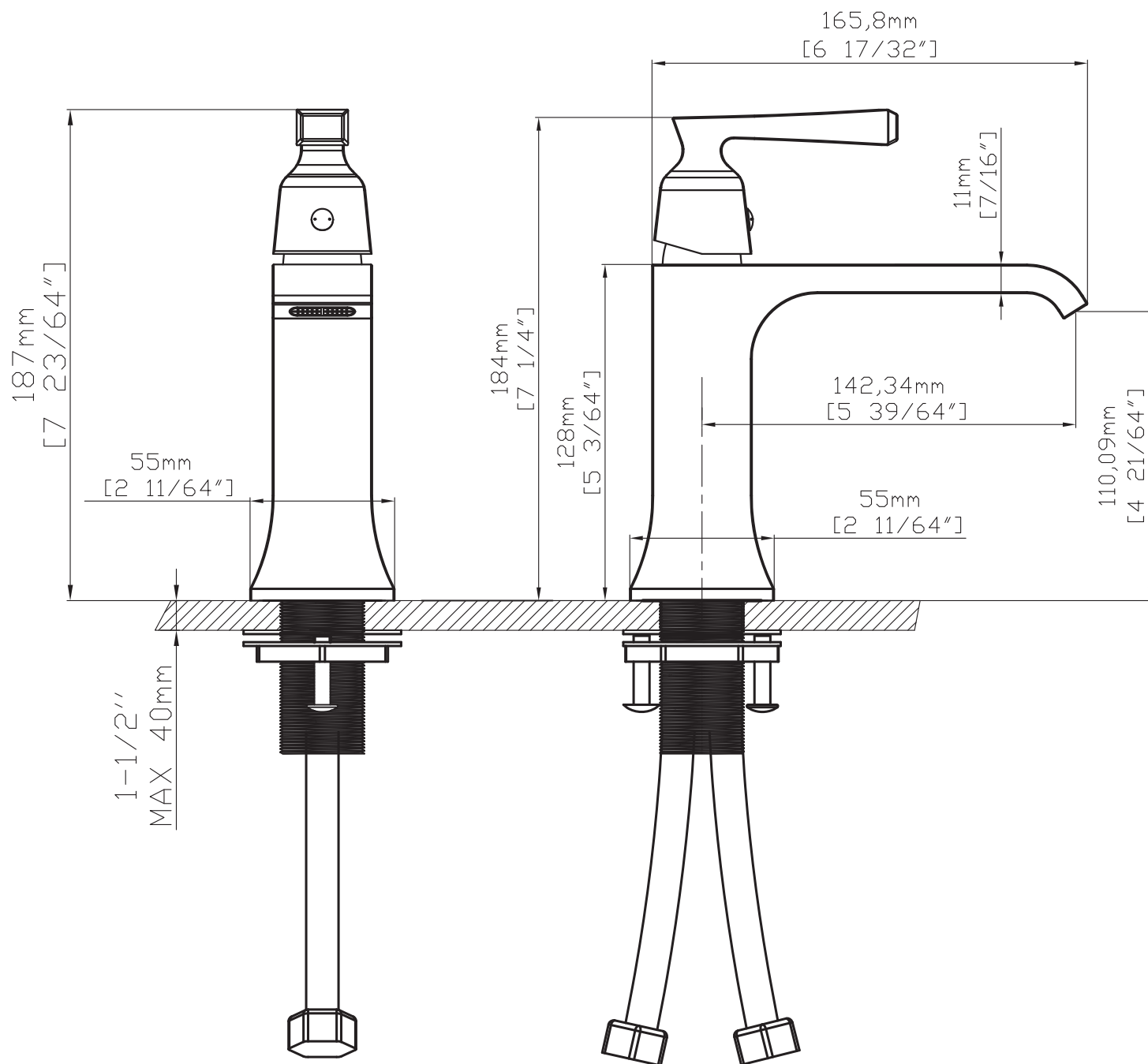


# SPECIFICATIONS



Front View

Side View